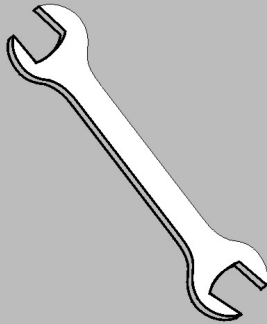


Published Manual Number/ECN: H13 0004/99506N

- Publishing System: TPAS
- Access date: 2/7/01
- Document ECN's: Exact



Kit Instruction— K13 0004



Please Read

About the Manual Identifying Information on the Cover

The front cover displays pertinent identifying information for this manual. Most important, are the published manual number (part number) /ECN (date code). Generally, when a replacement manual is furnished, it will have the same published manual number, but the latest available ECN. This provides the user with the latest information applicable to his machine. Similarly all documents comprising the manual will be the latest available as of the date the manual was printed, **even though older ECN dates for those documents may be listed in the table of contents.**

When communicating with the Milnor factory regarding this manual, please also provide the other identifying information shown on the cover, including the publishing system, access date, and whether the document ECN's are the latest available or exact.

References to Yellow Troubleshooting Pages

This manual may contain references to "yellow pages." Although the pages containing troubleshooting procedures are no longer printed on yellow paper, troubleshooting instructions, if any, will be contained in the easily located "Troubleshooting" chapter or section. See the table of contents.

Trademarks of Pellerin Milnor Corporation

The following, some of which may be used in this manual, are trademarks of Pellerin Milnor Corporation:

Ampsaver [®]	Dye-Extractor [®]	Gear Guardian [®]	Milnet [®]	Staph-Guard [®]
Autolint [®]	Dyextractor [®]	Hands-Off [®]	Milnor [®]	System 4 [®]
Auto-Purge [®]	E-P Express [®]	Hydro-Cushion [®]	Miltrac	System 7 [®]
Autovac	E-P OneTouch [®]	Mildata [®]	Miltron	Totaltrol [®]
CBW [®]	E-P Plus [®]			

Comments and Suggestions

Help us to improve this manual by sending your comments to:

Pellerin Milnor Corporation
Attn: Technical Publications
P. O. Box 400
Kenner, LA 70063-0400

Fax: (504) 469-1849

SECTION VII

LUBRICATION

Lubrication of this machine is relatively simple since the jackshaft contains pre-lubricated ball bearings and both of the electrical motors contain ball bearings which have been pre-lubricated at the factory and contain a sufficient amount of grease to last 3 to 4 years.

A. The only regular maintenance required is that for the main bearing housing. The oil in this unit must be changed EVERY 4 MONTHS (3 times yearly). This is accomplished as follows:

1. Remove the drain plug at the bottom of the drain tube. Remove the vent plug.
2. Allow the bearing housing to drain completely, then clean the drain plug and re-install at the connection on the drain tube.
3. After the unit is drained, remove the plug from the fill tube and carefully fill with 28 ounces of a good brand heavy duty 50 weight motor oil.

CAUTION: DO NOT SPILL OIL. THIS WILL CAUSE BELTS TO SLIP AND MOTOR TO MALFUNCTION.

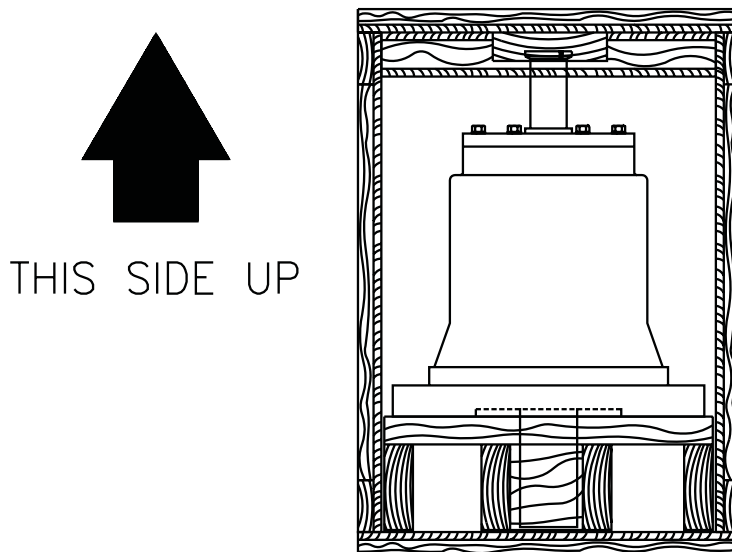
- B. Lubricate door interlock plunger with a few drops of light machine oil weekly.
- C. MILTROL motor clutch, timer cylinder shaft, and chart drag spring assembly require lubrication in accordance with instructions on MILTROL parts drawing elsewhere in this manual.

ATTENTION:

WHEN RETURNING BEARING HOUSING TO
PELLERIN MILNOR CORPORATION, PLEASE
INSURE THAT IT IS PACKED ACCORDING TO
THIS ILLUSTRATION.

DO NOT NAIL SHUT – USE CLIPS PROVIDED.

BE SURE ARROWS ON BOX WALLS ARE
POINTING UP WHEN BOX IS REASSEMBLED
(ALL 4 SIDES).



BEARING HOUSING RETURN KIT
FOR 36 & 42 BEARINGS

B2TAG82072/95312A

V-BELT TENSION ADJUSTMENTS FOR 48", 52", 60" AND 72" WASHER-EXTRACTORS

This instruction is to be used for adjusting the belt tension on the following machine models:

48032BHE	48032BTG	48032BTH	48036QHE	48036QTG	48036QTH		
52038WE1	52038WTF	52038WTB	52038WTG	52038WTH			
60036WE2	60036WE3	60036SG2	60036SG3	60044WE2	60044WE3	60044SG2	60044SG3
72044SG2	72044SG3	72044WE2	72044WE3	72044WTB	72044WTG	72044WTH	

A belt tension testing device (Milnor[®] part number 30T001) and a straight edge are required when tensioning unbanded belts.

Tension Settings—Unbanded Belts

Set the o-rings on the tension testing device (see FIGURE 1) as follows:

1. Move the upper o-ring to the topmost position, resting against the bottom edge of the cap.
2. Find the proper belt deflection setting (by machine model and belt function) in the appropriate table below.
3. Move the lower o-ring on the tension tester to this deflection setting on the inches scale.

NOTE 1: The tension testing device is marked on one side in inches and pounds and on the other side in centimeters and kilograms. All values in the tables are in inches (in.) and pounds (lbs.).

NOTE 2: The instruction sheet provided with the tension testing device should not be used. Use only the instructions provided herein.

NOTE 3: The reference (ref.) code shown in the tables are for factory use only.

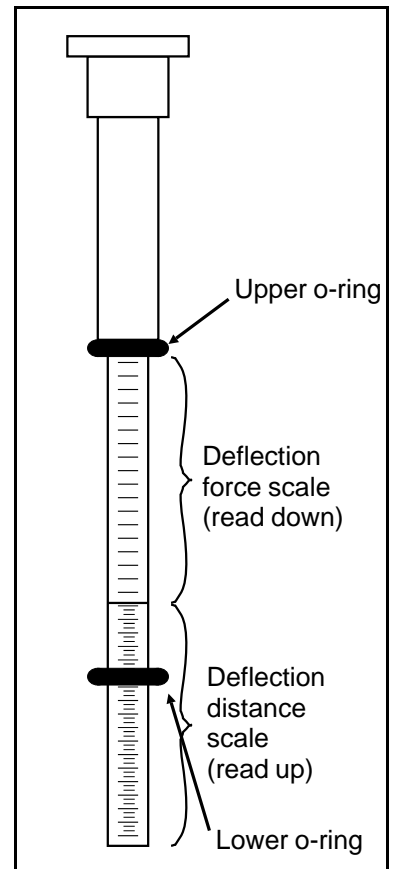


FIGURE 1 (MSSMA405AE)
Tension Settings

Belt Tension Measurements

Unbanded Belts

1. Place a straight edge along the top edge of the belt to be tested so that it spans both pulleys. Place the tension tester in the center of the belt and press down on the cap until the lower o-ring is in line with the straight edge, as shown.
2. Read the setting of the upper o-ring on the lbs scale of the tension tester.
3. Compare this value with the acceptable range in the appropriate table. If the belt is brand new (has never been run), use the range in the Initial Tension column. If the belt is not brand new, locate the acceptable range in the Final Tension column.
4. If the reading on the tension tester is *less* than the range shown in the table, the belt is *too loose* and must be tightened. If the reading is *greater* than the range shown in the table, the belt is *too tight* and must be loosened. Adjust the belt until the reading falls within the acceptable range in the table.

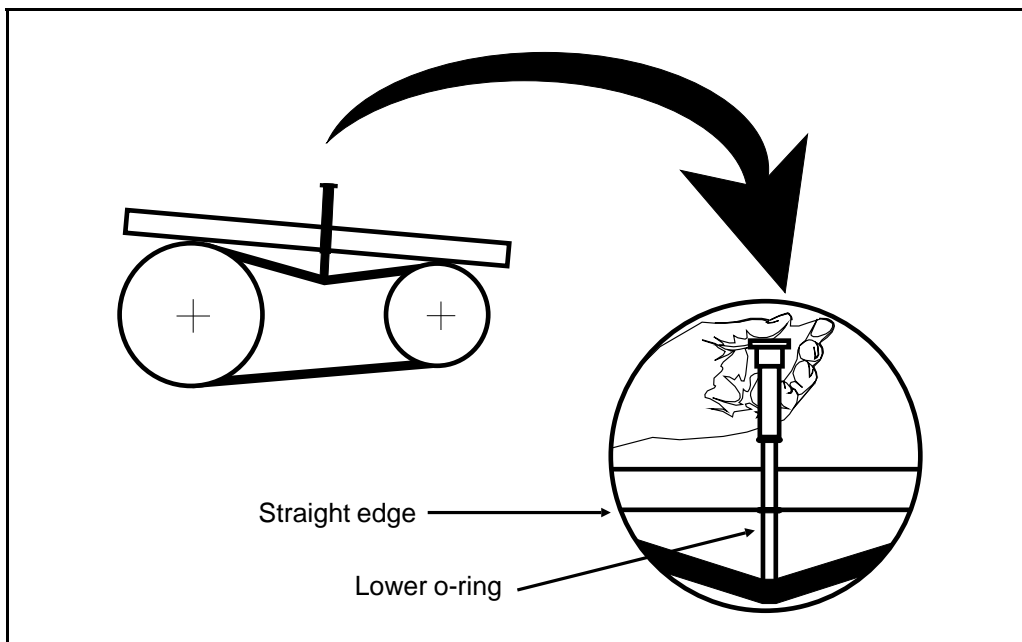


FIGURE 2 (MSSMA405AE)
Measuring Belt Tension

Tensioning Banded Belts

48032BHE, BTG, BTH

48036QHE, QTG, QT

	Belt Deflect. (inches)	Initial Tension		Initial Tension		Belt Deflect (in.)	Initial Tension		Initial Tension	
		(lbs.)	(ref.)	(lbs.)	(ref.)		(lbs.)	(ref.)	(lbs.)	(ref.)
WASH/ 2 SPEED WASH	9/32	6.6 - 9.2	KP3	5.1 - 7.1	KN	5/16	5.7 - 7.6	JP3	4.4 - 5.9	JN
DRAIN	5/32	5.7 - 7.6	JP3	4.4 - 5.9	JN	5/32	6.6 - 9.2	KP3	5.1 - 7.1	KN
MAIN	50C 35/64	10.5 - 14.3	NP3	8.1 - 11.0	NN	17/32	10.5 - 14.3	NP3	8.1 - 11.0	NN
	60C 17/32									
LOW SPEED EXTRACT	13/64	6.6 - 9.2	KP3	5.1 - 7.1	KN	3/16	9.62 - 13.0	MP3	7.4 - 10.0	MN

52038WE1, WTF, WTB, WTG, WTH

60036 + 60044WE2 + WE3

	Belt Deflect. (inches)	Initial Tension		Initial Tension		Belt Deflect (in.)	Initial Tension		Initial Tension	
		(lbs.)	(ref.)	(lbs.)	(ref.)		(lbs.)	(ref.)	(lbs.)	(ref.)
WASH/ 2 SPEED WASH	25/64	10.5 - 14.3	NP3	8.1 - 11.0	NN	3/16	5.7 - 7.6	JP3	4.4 - 5.9	JN
DRAIN	5/32	10.5 - 14.3	NP3	8.1 - 11.0	NN	13/32	6.6 - 9.2	KP3	5.1 - 7.1	KN
E1	1/4	6.6 - 9.2	KP3	5.1 - 7.1	KN	17/64	6.6 - 9.2	KP3	5.1 - 7.1	KN
E2	1/2	6.6 - 9.2	KP3	5.1 - 7.1	KN	11/32	6.6 - 9.2	KP3	5.1 - 7.1	KN
MAIN	50C 11/16	18.2 - 26.0	SP3	14.0 - 20.0	SN	43/64	16.9 - 20.8	RP3	13.0 - 16.0	RN
	60C 23/32	16.9 - 20.8	RP3	13.0 - 16.0	RN	45/64				

48032BHE, BTG, BTH

48036QHE, QTG, QT

	Belt Deflect. (inches)	Initial Tension		Initial Tension		Belt Deflect (in.)	Initial Tension		Initial Tension	
		(lbs.)	(ref.)	(lbs.)	(ref.)		(lbs.)	(ref.)	(lbs.)	(ref.)
WASH/ 2 SPEED WASH	1/4	5.7 - 7.6	JP3	4.4 - 5.9	JN	17/64	5.7 - 7.6	JP3	4.4 - 5.9	JN
DRAIN	3/64	6.6 - 9.2	KP3	5.1 - 7.1	KN	33/64	6.6 - 9.2	KP3	5.1 - 7.1	KN
E-1	9/32	6.6 - 9.2	KP3	5.1 - 7.1	KN	17/64	6.6 - 9.2	KP3	5.1 - 7.1	KN
E-2	39/64	6.6 - 9.2	KP3	5.1 - 7.1	KN	5/8	6.6 - 9.2	KP3	5.1 - 7.1	KN
UPPER JACK TO LOWER JACK LOWER JACK TO UPPER JACK	BANDED BELTS NEED SPECIAL INSTRUCTIONS					BANDED BELTS NEED SPECIAL INSTRUCTIONS				

52038WE1, WTF, WTB, WTG, WTH

60036 + 60044WE2 + WE3

	Belt Deflect. (inches)	Initial Tension		Initial Tension		Belt Deflect (in.)	Initial Tension		Initial Tension		
		(lbs.)	(ref.)	(lbs.)	(ref.)		(lbs.)	(ref.)	(lbs.)	(ref.)	
WASH/ 2 SPEED WASH	15/64	5.7 - 7.6	JP3	4.4 - 5.9	JN	15/64	5.7 - 7.6	JP3	4.4 - 5.9	JN	
DRAIN	13/32	6.6 - 9.2	KP3	5.1 - 7.1	KN	25/64	6.6 - 9.2	KP3	5.1 - 7.1	KN	
E1	17/64	6.6 - 9.2	KP3	5.1 - 7.1	KN	17/64	6.6 - 9.2	KP3	5.1 - 7.1	KN	
E2	5/16	6.6 - 9.2	KP3	5.1 - 7.1	KN	5/16	6.6 - 9.2	KP3	5.1 - 7.1	KN	
MAIN	50C	45/64	16.9 - 20.8	RP3	13.0 - 16.0	RN	3/4	16.9 - 20.8	RP3	13.0 - 16.0	RN
	60C	11/16	16.9 - 20.8	RP3	13.0 - 16.0	RN	23/32	16.9 - 20.8	RP3	13.0 - 16.0	RN

V-BELT TENSION ADJUSTMENTS FOR 30" AND 36" B-TYPE MACHINES AND 42" Q-TYPE MACHINES

This instruction is to be used for adjusting the belt tension on the following machine codes:

30016BWE	42026QHE
36021BWE	42026QTG
360326QWE	42026QTH
42026QWE	

A belt tension testing device (Milnor® part number 30T001) and a straight edge are required when using these instructions.

Tension Settings

Set the o-rings on the tension testing device (see FIGURE 1) as follows:

1. Move the upper o-ring to the topmost position, resting against the bottom edge of the cap.
2. Find the proper belt deflection setting (by machine model and belt function) in the appropriate table below.
3. Move the lower o-ring on the tension tester to this deflection setting on the inches scale.

NOTE 1: The tension testing device is marked on the one side in inches and pounds and on the other side in centimeters and kilograms. All values in the tables are marked.

NOTE 2: The instruction sheet provided with the tension testing device should not be used. Use only the instructions provided herein.

NOTE 3: The reference (ref.) codes shown in the tables are for factory use only.

Belt Tension Measurements

1. Place a straight edge along the top edge of the belt to be tested so that it spans both pulleys. Place the tension tester in the center of the belt and press and down on the cap until the lower o-ring is in line with the straight edge, as shown.
2. Read the setting of the upper o-ring on the LBS scale of the tension tester.
3. Compare this value with the acceptable range in the appropriate table. If the belt is brand new (has never been run), use the range in the Initial Tension column. If the belt is not brand new, locate the acceptable range in the Final Tension column.

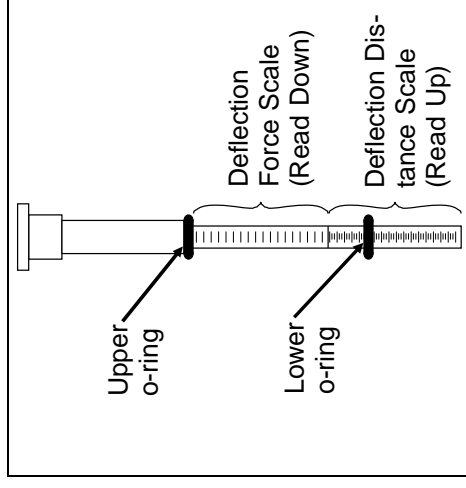


FIGURE 1 (MSSM0204AE)
Tension Tester Scales

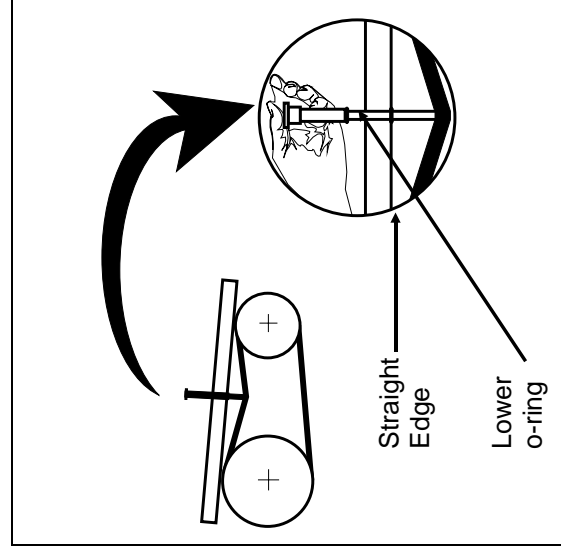


FIGURE 2 (MSSM0204AE)
Taking Measurements with the Tension Tester

4. If the reading on the tension tester is less than the range shown in the table, the belt is too loose and must be tightened. If the reading is greater than the range shown in the table, the belt is too tight and must be loosened. Adjust the belt until the reading falls within the acceptable range in the table.

30016BWE

36021BWE

	Belt Deflect. (inches)	Initial Tension (lbs.)		Belt Deflect (IN)	Initial Tension (lbs.)		Initial Tension (ref.)
		(lbs.)	(ref.)		(lbs.)	(ref.)	
WASH/2 SPEED WASH	5/16	6.6 – 9.2	KP3	13/32	5.1 – 7.1	KN	2 – 2.4 DN
	11/32	2.4 – 2.84	DP2	13/32	2.0 – 2.4	DN	2 – 2.4 DN
DRAIN	5/16	9.6 – 13.0	MP3	25/64	7.4 – 10.0	MN	7.4 – 10.0 MN
	11/32	2.8 – 4.0	EP2	13/32	2.4 – 3.37	EN	2.4 – 3.4 EN
HIGH SPEED EXTRACT	25/64	10.5 – 14.3	NP3	27/64	8.1 – 11.0	NN	8.1 – 11.0 NN
	25/64	8.0 – 11.0	LP3	27/64	6.2 – 8.5	LN	7.4 – 10.0 MN
LOW SPEED EXTRACT	11/64	9.0 – 13.0	MP3	11/64	7.4 – 10.0	MN	6.6 – 9.2 KP3
	5/32			11/64			5.1 – 7.1 KN

36026QWE

42026QWE

	Belt Deflect. (inches)	Initial Tension (lbs.)		Belt Deflect (IN)	Initial Tension (lbs.)		Initial Tension (ref.)
		(lbs.)	(ref.)		(lbs.)	(ref.)	
WASH/2 SPEED WASH	13/32	2.4 – 2.84	DP2	11/32	2.0 – 2.4	DN	7.4 – 10.0 MN
	13/32			23/64			MP3
DRAIN	25/64	9.6 – 13.0	MP3	23/64	7.4 – 10.0	MN	2.8 – 4.0 EP2
	13/32	2.8 – 4.0	EP2	23/64	2.4 – 3.34	EN	10.5 – 14.3
HIGH SPEED EXTRACT	7/16	9.6 – 13.0	MP3	7/16	7.4 – 10.0	MN	9.6 – 13.0 NP3
	7/16	8.0 – 11.0	LP3	7/16	6.2 – 8.5	LN	9.6 – 13.0 MP3
LOW SPEED EXTRACT	3/16	9.6 – 13.0	MP3	1/4	7.4 – 10.0	MN	7.4 – 10.0 MN
	3/16			1/4			6.6 – 9.2 KP3

42026QHE, QTG, QTH

	Belt Defl. (inches)	Initial Tension (lbs.)		Belt Deflect (lbs.)	Final Tension (ref.)	
		(lbs.)	(ref.)		(lbs.)	(ref.)
WASH/2 SPEED WASH	19/64	9.62 – 13.0	MP3	7.4 – 10.0		MN
	5/32	10.5 – 14.3		8.1 – 11.0		NN
DRAIN	31/64	10.5 – 14.3	NP3	8.1 – 11.0		NN
	15/32			6.2 – 8.5		LN
OPTIONAL LOW SPEED EXTRACT	19/64	8.0 – 11.0	LP3	6.2 – 8.5		LN

V-BELT TENSION ADJUSTMENTS

This instruction is to be used for adjusting the belt tension on the following machine models:

42031WE2	42031SG2	42031WE3	42031SG3
42044WE2	42044SG2	42044WE3	42044SG3

A belt tension testing device (Milnor[®] part number 30T001) and a straight edge are required when using these instructions.

Tension Settings

Set the o-rings on the tension testing device (FIGURE 1) as follows:

1. Move the upper o-ring to the topmost position, resting against the bottom edge of the cap.
2. Find the proper Belt Deflection setting (by machine model and belt function) in the appropriate table in this section.
3. Move the lower o-ring on the tension tester to this deflection setting on the inches scale.

NOTE 1: The tension testing device is marked on one side in inches and pounds and on the other side in centimeters and kilograms. All values in the tables are in inches (in) and pounds (lbs).

NOTE 2: The instruction sheet provided with the tension testing device should not be used. Use only the instructions provided herein.

NOTE 3: The reference (ref) codes shown in the tables are for factory use only.

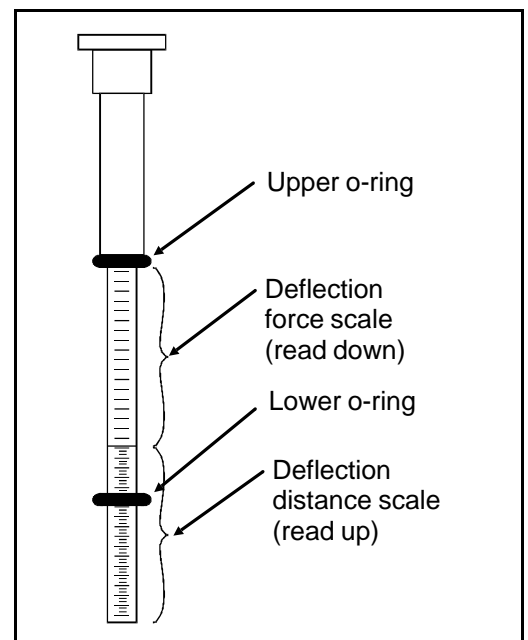


FIGURE 1 (MSSM0301AE)
Tension Tester Scales

Belt Tension Measurements

- Place a straight edge along the top edge of the belt to be tested so that it spans both pulleys. Place the tension tester in the center of the belt and press down on the cap until the lower o-ring is in line with the straight edge, as shown.
- Read the setting of the upper o-ring on the lbs scale of the tension tester.
- Compare this value with the acceptable range in the appropriate table. If the belt is brand new (has never been run), use the range in the Initial Tension column. If the belt is not brand new, locate the acceptable range in the Final Tension column.
- If the reading on the tension tester is *less* than the range shown in the table, the belt is *too loose* and must be tightened. If the reading is *greater* than the range shown in the table, the belt is *too tight* and must be loosened. Adjust the belt until the reading falls within the acceptable range in the table.

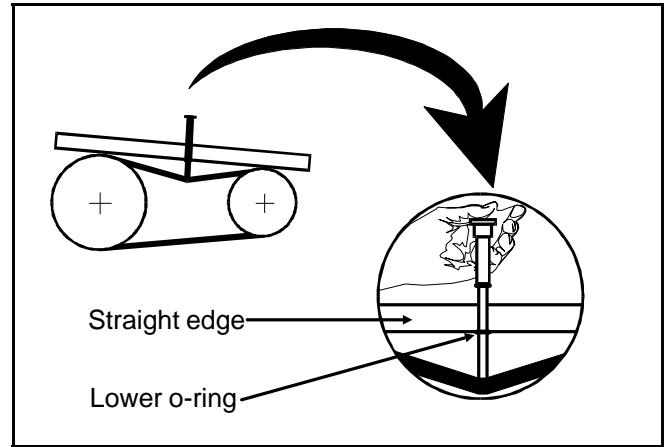


FIGURE 2 (MSSM0301AE)
Taking Measurements with the Tension Tester

42031WE2/WE3 and 42044WE2/WE3 Belt Tension Measurements

	Belt Deflection (inches)	Initial Tension		Final Tension	
		(LBS)	(REF)	(LBS)	(REF)
Wash/2-Speed Wash	11/64	9.6-13.0	MP3	7.4-10.0	MN
Drain	3/8	8.0-11.0	LP3	6.2-8.5	LN
Main	50Hz	10.5-14.3	NP3	8.1-11.0	NN
	60Hz				

42031SG2/SG3 and 42044SG2/SG3 Belt Tension Measurements

	Belt Deflection (inches)	Initial Tension		Final Tension	
		(LBS)	(REF)	(LBS)	(REF)
Wash/2-Speed Wash	11/64	9.6-13.0	MP3	7.4-10.0	MN
Drain	3/8	8.0-11.0	LP3	6.2-8.5	LN
E1 (optional)	11/32	9.6-13.0	MP3	7.4-10.0	MN
Upper Jackshaft to Lower Jackshaft	50Hz	10.5-14.3	NP3	8.1-11.0	NN
	60Hz				